



Newsletter

August/September 1999

WASHINGTON KITEFLIERS ASSOCIATION

WSIKF Is Almost Upon Us!

By Rob Pratt

Well it looks like a great time is in store for all at Long Beach this year with some new events ready to take place. Including a Kite Pin Challenge and Mass Ascension similar to the ones that many of you participated in at the AKA convention in Ocean Shores. To encourage folks to bring out their best kites in addition to the regular pins for flying during the mass ascension the best 10 kites, in the eyes of the judges, will receive a special pin during that flight.

Another event that has been added as part of the program is a Memorial Fly, to honor and celebrate the lives of those kites that we have lost in the last year. We will be flying kites that belonged to our friends. Some of these kites are pretty good sized and will require a crew to fly, if you wish to lend a hand with the Memorial fly contact Robin Haas at the festival.

One event that we all look forward to is the WKA Spaghetti Feed and Raffle on Wednesday of WSIKF. Last year Stu And TJ Murphy stepped down from the running of this event and I would like to thank them both for not only the years of the great pizza and spaghetti feeds but for the wonderful instructions on how to feed 200 people. This year myself and Susie and Dave Christenson will be attempting to fill their large shoes. The Christenson's and I have the acquisition of supplies well in hand but we will need help setting up the Grange hall and cooking and serving for the feed. If you can help us please let me know at the festival before Wednesday afternoon or show up at 4:00 PM on Wednesday at the Long Beach Grange. Also if you have a donation for the Raffle after the feed, you can either bring it with you to the dinner or give it to me before Wednesday afternoon.

There will be some great guest fliers this with some spectacular kites as always, so even if you can only come for the day you will get to see a lot of great stuff, besides if you didn't come we all would miss you!

Dedicated to helping people know how much fun it is to fly kites!

IN THIS ISSUE

- 2.....PRESIDENT'S PROSE
- 2.....COMPETITION UPDATE
- 3.....WORLD KITE MUSEUM
- 3.....NEW MEMBERS
- 4.....BALLOONS AND KITES
- 5.....WORLD KITE MUSEUM
- 6.....DELTA-COYNE KITE PLAN
- 7.....KITE CALENDAR
- 8-9.....KITE CLUBS
- 9.....EDITOR'S ECHO

For a complete schedule of events you can check out WSIKF web site at <http://www.kitefestival.com/> this should answer your basic questions about the festival.

See you at Long Beach!

President's Prose

Last month I announced that I would be stepping down from the WKA presidency. What that means is that the club needs somebody to come forward to run for the office. It is really a pretty simple job, all you have to do is call and run board meetings when they are needed and run the annual business meeting (piece o' cake). That is the official stuff, you also act as a contact point for the WKA. Most of the time this involves answering questions on where the best place to fly a kite in their area or where and when the next festival is. Pretty simple, right? The best benefit is the wonderful people that you get to meet and interact with. As I said last newsletter I will be staying active with the WKA, and helping the new president in his or hers new term as president. Historically the WKA president has been male, but what about a female president, I think that the WKA is ready for that step, so ladies if you have a desire to help shape this club let me know and I will put your name on the ballot. Don't forget the WKA Spaghetti Feed at WSIKF. See you in Long Beach!

Rob Pratt

Competition Update

WSSKC which is usually held on Whidbey Island is to be held (this year only) at Ocean Shores on Sept 25-26. This is being organized by Cutting Edge Kite Shop and Monica Barber is the contact at: 360-289-0667 or flying@cuttingedgekites.com. Volunteers are needed so contact Monica if you want to help.

The competition portion of the Lewis and Clark Kite Exposition on Sept 11-12 had been cancelled, but is now back on. Contact Bill Story at: toll free 1-877-380-8549 for registration forms.

Great Winds Kite Shop Est. 1972

An outstanding collection of kites, kite building supplies, books, accessories and other flying things...

402 Occidental Ave S. Seattle, Wa 98104 (206)624-6886

WKA Newsletter 1999

The Washington Kitefliers Association Newsletter is published six times a year by the Washington Kitefliers Association.

Primary Contact/Editor
Bill & Jeannette Rogers
(360) 697-2917

Mailing List
Sylvia Bernauer
(425) 822-4605

The Editor encourages your participation in your newsletter, and requests that you send your contributions pertaining to kiteflying. Submissions that illustrate how much fun it is to fly a kite will be given priority for publication. Mail submissions and photographs (include the name, address and telephone number of the source) along with a stamped, self-addressed envelope of sufficient size and postage for return (if you want your photographs back) to:

Bill & Jeannette Rogers
PO Box 2393
Poulsbo WA 98370
email billrogers@earthlink.net

The deadline for all submissions is January 20th, March 20th, May 20th, July 20th, September 20th or November 20th. Materials received by these dates will be published in the following issue as space allows. All submissions will be considered for publication.

Membership

To become a member of the WKA, send your name(s), address and telephone number, along with a check for \$15 per family in U.S. or Canada (all other countries please add \$5(US) additional for postage) to Washington Kitefliers Association, Pacific Science Center, 200 Second Avenue North, Seattle, Washington 98109. Membership includes an official WKA membership card entitling the bearer to discounts at certain kite shops and a one-year subscription to the WKA Newsletter.

W.K.A. WELCOMES NEW MEMBERS

Nancy Abbenhaus	Yakima
Don & Rebecca Catrow and Matthew	Edmonds
Pam & Paul Huber and Kerisa Weeks	Maple Valley
Jeff M. Smith	Des Moines, WA
Richard West & Carole Levinhal	Seattle
Jeremy Wilson	Seattle

WORLD KITE MUSEUM & HALL OF FAME

Plays Hard during WSIKF--Kite-making, Kite Flying, Auction Fund Raising, Hall of Fame Induction Ceremony, NW Wine Tasting, New Indonesian Exhibit, Kite Parties...

Monday, August 16 at WSIKF Kite train arch engineers are invited to bring kite trains at 8:30 a.m. to get oiled & lubed at the Pullman breakfast on the beach before going into flight at 10 a.m. At 1:30 p.m. the Museum sponsors a "Try Your Hand at Kite Trains" work shop. For \$6 participants can make three Conover Eddy kites.

Tuesday, August 17 a Fund Raiser for the World Kite Museum, meet the invited WSIKF guests and enjoy Northwest Wine Sampler at Edgewater Inn, from 7-10 p.m. Interesting wines, and nibbles to experience for \$18, Museum wine glasses \$2.

Wednesday, August 18 At 1 p.m. each kid gets to make a FREE kite. Sponsored by the WKM & HOF. PLEASE come, volunteer and have fun helping kids make kites.

Friday, August 20 Hall of Fame Induction Ceremony begins at 7 p.m. in the Museum Park. Come early and enjoy the "Traditional Layang-layang of Indonesia" and "Is it a Kite? Is it a plane?" exhibits.

Saturday, August 21 WKM Loud, & Silent Auction with light hors d'oeuvres, a no host bar, win prizes, socialize with friends and invited Festival Guests. Bid on unique, creative, and fun items. \$8 per person, some entertainment is anticipated....."Indonesian Gamelan?"

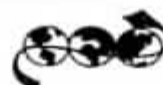
TAKE TIME FOR THE MUSEUM

Take a moment...put on your thinking cap and come up with items to donate to the WSIKF World Kite Museum Auction. For every item you donate, your name will go into the drawing for exciting door prizes. The possibilities go on and on...A handcrafted item featuring kites; a picnic lunch on the beach at the next festival; one of the specialty kites you make, sandbags, kite bags etc. housing at a festival near you; kites that you no longer fly; antique kite items. Find cool, fun things to put on the auction block. Silent Auction begins @ 7 p.m, loud and bawdy @ 8 p.m.

So don't wait...Take time for the Museum!

New web page: www.worldkitemuseum.com

NEW
EXHIBIT in
May



Golden Age of Kites
NOW on Display

Tako Kichi
Gift shop

World Kite Museum & Hall of Fame

P.O. Box 964
112-3rd Street NW
Long Beach, WA 98631

Quintet Raffle
Tickets Membership
1999

Phone: (360) 642-4020
Fax: 360-642-4020
jkite@willapabay.org



gas works
kite shop

3333 wallingford no.
SEATTLE, WA 98103

FAX (206) 633-0301
(206) 632-6151 (206) 633-4780

Hot Air Balloons and Kites

We have often wondered why kites have not made a prevalent showing at hot air balloon festivals, seems like a good mix. We decided to check into it. Being known for not starting out "small scale" we went right to the top. Albuquerque, New Mexico. Home of the largest hot air balloon festivals in the world. Last year they launched 853 balloons every morning, in three waves.

Marie and I made a trip to Albuquerque to visit the site and meet with the board of directors. Prior to departing Albuquerque we were accepted as a vendor and are going to put on a "KITE FESTIVAL" in conjunction with the balloon fiesta. This will be an AKA-sanctioned event (sanctioning applied for). Each morning starting October the 3rd through the 10th after the balloons have launched we will be given center field to display and fly kites. This is a great opportunity for the kiting industry as a whole: we will no doubt receive national recognition with all the media that cover this event.

This is a public invitation to come join us in Albuquerque. The committee agreed to bring trucks onto the field so we can tie the big stuff to. Leaving lots of room for stunt kite fliers and demos, any one interested in putting on a demo please call.

If you want to come early and enjoy the balloons, there is a small Entrance fee, but, if you come after the balloons are launched, no fee. The balloons are usually up and away by 10:00 am, they start at 6:00 am.

We realize the last weekend conflicts with the AKA convention (I tried to get them to change the dates, to no avail). Maybe you can stop by on your way.

Joining us at the Fiesta will be Mark Reed of Prism Design, Rod and Cindy Thrall of Serendipitous Skies and Andy Tauber the "Kite Flying Fool".

Come fly a kite.

Best winds always,
Bill and Marie Storey
Wind Dancer unlted. Inc.

For more info call 1-877-380-8549 toll free or e-mail
windance@seasurf.net

WKA OFFICERS

President

Rob Pratt (360) 956-1513
robcp@worldnet.att.net

Vice President

David Jam (425) 222-6779
jman@ncfweb.net

Secretary

Jeannette Mandanas
(425) 222-6779
jman@ncfweb.net

Treasurer

Carol Lord (360) 848-0322
lord@techline.com

BOARD MEMBERS

Education

Tom Sisson (206) 725-3615

Membership

Sylvia Bernauer (425) 822-4605
dbm@accessone.com

Merchant Liaison

Ken Conrad (206) 527-5184
grtwinds@dlux.net

Newsletter

Bill & Jeannette Rogers
(360) 697-2917
billrogers@earthlink.net

Past President

Mike Benedict (360) 435-3325

Products

Susie Christenson
(360) 268-1123

Special Events Coordinator

Dave Christenson
(360) 268-1123
davec@techline.com

KITE MUSEUM PRESS RELEASE

Don't Miss the WSIKF Evening Fun

The Northwest Wine Sampler Tuesday, August 17, 1999

Enjoy this casual evening with friends while tasting regional wines and getting a chance to visit with the Festival invited guests. There will be door prizes, too. The cost is \$ 20 a person for 6 wine tastings to satisfy all tastes from beginner to those with a more sophisticated palate.

Sandy Stonebreaker's special hors d'oeuvres are included. All profits will go towards the World Kite Museum's new building. A Museum logo glass is available for \$ 2.00 extra.

Kite Museum Auction & Festival Awards Gala Saturday, August 21, 1999

Not only will you want to attend to find kite bargains, one-of-a-kind kites and collectors items but we hope you will donate your kite specialties for others to enjoy. To better meet the wishes of previous festival goers, this year the silent auction begins at seven, loud auction at 8 PM. The eight dollar early bird admission includes light hors d'oeuvres and a no host bar. For your entertainment, the auction committee promises special antics, lively repartee and humors awards. Be prepared for surprises.

EARLY BIRD SPECIAL reservations is \$ 8.00 per person. \$10 at the door. Please fill out this form & send it to: WSIKF, PO BOX 387, Long Beach, WA 98631.

NAME _____

ADDRESS _____

CITY _____ STATE _____ ZIP _____

Amount enclosed \$ _____

CREDIT CARD

Master Card Visa

Credit Card Number: _____ Expiration Date: _____

Cardholder's Name (Please Print) _____

Cardholder's Signature _____

* The following is being reprinted with the kind permission of Leonard M. Conover. *

1

HOD TAYLOR TRIANGULAR BOX DELTA
ALSO KNOWN AS THE DELTA-CONYNE

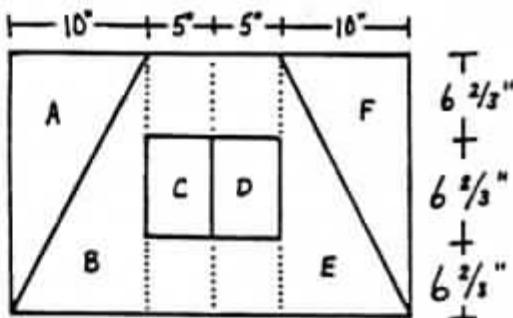
An inexpensive, easy-to-build, lightweight, low-wind flyer that can be made in a rainbow of colors. A miniature version of a modern classic, by Leonard M. Conover.
 *[for ages 9 and up]

2

MATERIALS

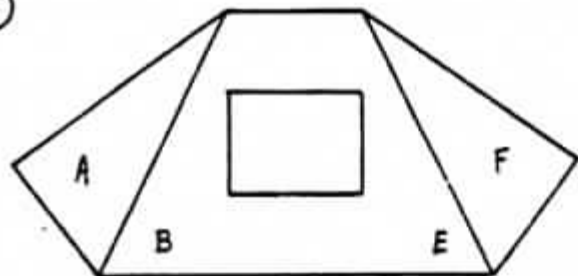
1 sheet tissue paper (20" x 30").
 1 plastic drinking straw, cut in half.
 2 wooden dowels (1/8" dia. x 15" long).
 4 wooden dowels (1/8" dia. x 20" long).
 light string for bridle (36" long).
 tape - glue - pen - pencil - knife - scissors - yardstick - meterstick - etc.

3



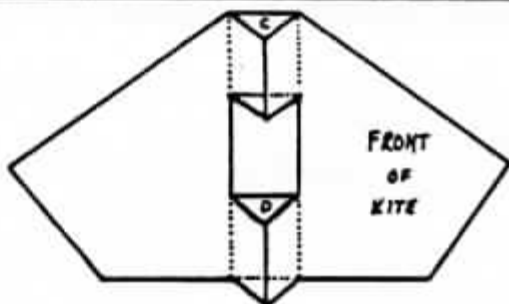
Cut on solid lines; fold on dotted lines.
 Note: $6 + \frac{2}{3}$ " equals 170 mm.

4



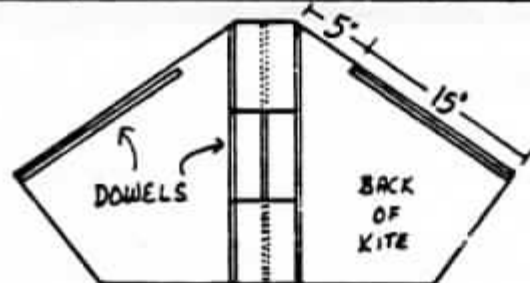
Remove sections "C" and "D".
 Flip sections "A" and "F" upside down and tape to sections "B" and "E".

5



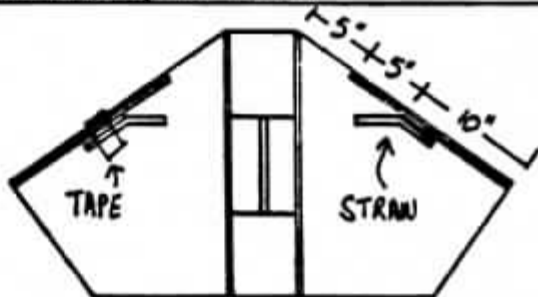
Fold on centerline. Tape sections "C" and "D" to back to form two triangular box sections, top and bottom.

6



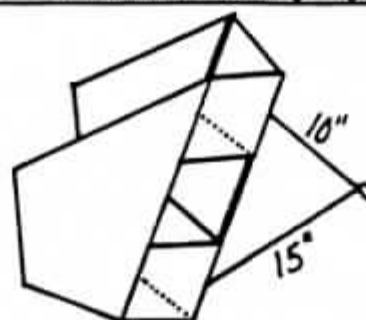
Glue 16" sticks to leading edge of wings.
 Glue 2 20" sticks to back of triangular box.
 Glue 1 20" stick inside leading edge of box.

7



Bend piece of straw in half. Tape along side wing spar, leaving one half of straw free to move.

8



Insert 19-20" stick (spreader) into straws.
 Attach bridle and fly in gentle winds.

*Recommended flying line: Button & carpet thread or lightweight kite line.

Kite Calendar

Event organizers, please contact Bill and Jeannette Rogers at (360) 697-2917 or billrogers@earthlink.net by the first of odd numbered months with Kite Calendar information. Please include as a minimum the date, time, place, contact person, phone number, and email address (if applicable).

AUGUST

August 16-22, 1999

Washington State International Kite Festival "WSIKF", Long Beach, WA

August 21-22, 1999

Fun Fly at Ocean City. An informal get together of kites to do your own thing. For more information contact Herb Andrews at 253-627-1653.

SEPTEMBER

September 10-12, 1999

7TH Annual "Up Your Wind" Kite Festival in Pacific Beach, WA. Co-sponsored by the Westport Windriders and North Coast Sky Painters Kite Clubs. Call Margaret for more information at: 360-276-8377 or email at: hiflyers@olynet.com

September 10-12, 1999

Lewis and Clark Kite Exposition, Seaside Or. Contact Bill Story for information: toll free 1-877-380-8549 or windance@seasurf.net

September 11, 1999

10 am to 6 pm Preston Winery

Chili Cook-off, Quilt Show & Kite Fly 5 miles North of Pasco, WA off Hwy 395. Contact: Marleen Zilar (509) 627-6404 or Vi Weeks (509) 967-2488

September 12, 1999

Whidbey Island Kite Fly, Greenbank Winery. Call Four Winds for more inform. The club plans to really check out this sight for a WSSKC 2000. The management is reseeding an area large enough for a sport kite championship, we'll check into their maintenance plans for keeping it closely mowed next spring. The plan is to know definite plans by our annual Nov. Thanksgiving Potluck.

September 18, 1999

WKA Fun Fly, Golden Gardens park, Seattle. Fly will begin at 11 am.

September 18, 1999

NFKA fun fly, Magnuson Park, Seattle

September 18-19, 1999

Fun Fly at Ocean City. An informal get together of kites to do your own thing. For more information contact Herb Andrews at 253-627-1653.

September 25-26, 1999

Washington State Sport Kite Championships, Ocean Shores WA. Contact Monica Barber at 360-289-0667 or email at flying@cuttingedgekites.com.

OCTOBER

October 4-9, 1999

AKA National Convention,

Muncie IN. Check out their website for details <http://www.aka.kite.org/> or call them at 800-252-2550

NOVEMBER

November 14, 1999

Sci Fi last scheduled fly of the year at 10th street, prior to 5p.m. potluck dinner, raffle, meeting and election of officers

ADVERTISEMENTS

For items relating to kites or kitefliers. Charge is 10 cents a word (\$3 minimum) per issue. Lost, Found, Stolen, or Free items will be listed free if under 30 words. Make checks payable to WKA, mail to Bill & Jeannette Rogers Editors, P.O. Box 2393, Poulsbo, WA 98370.

WKA Patch

Patches featuring the WKA logo are available for \$4 each. Make check payable to the WKA. Contact Susie Christenson, PO Box 2119, Westport, WA 98595.

WKA 3-Pin Sets

The new WKA pins are a 3 pin set that, when put together, form a Fokkaku. The center pin lists all of the kite clubs in the WKA. The 3 pin set is priced at \$10 including postage (\$11 outside the US). Make check payable to the WKA. Contact Susie Christenson, PO Box 2119, Westport, WA 98595.

25th Anniversary Pin

The new pin is green with a red, blue or yellow kite in it. It is our 25th anniversary pin. The pin is priced at \$5 including postage. Make check payable to the WKA. Contact Susie Christenson, PO Box 2119, Westport, WA 98595.

REGIONAL CLUBS

ASSOCIATED OREGON KITERS

P.O. Box 25616, Portland, OR 97298. Membership includes bi-monthly newsletter.

BEN FRANKLIN KITE SOCIETY

Contact Greg or Margaret Greger at (509) 943-3951

BRITISH COLUMBIA KITE-FLYERS ASSOCIATION

Box 755, 101-1001 W. Broadway, Vancouver, BC, CANADA V6H4E4. Membership \$15.00 Canadian or \$10.50 US. Our website is www.bcka.bc.ca

kgb - KITE GROUP OF BOISE

Gary Self, 5403 Paulson Circle, Boise, ID 83704. Individual membership \$7.00 includes a quarterly (?) newsletter.

LILAC CITY WIND CHASERS

Meets every Tuesday (during daylight savings), 5:00 PM, Friendship Park, 7200 block of N Standard. Contact Bill or Connie Lester, 3524 W Kiernan, Spokane, WA 99205 (509) 327-2829 blester@ix.netcom.com.

NORTH COAST SKY PAINTERS KITE CLUB

Our club contact person is Secretary Jeff McArthur 425-228-3875 and e-mail at windzup@nwlinc.com. Our web site is <http://crabble.oly.net.com/NCSP/index.html>

NORTHWEST BUGGY PILOTS ASSN.

Contact Morrie and Kelci Williams, P.O. Box 1358, Westport, WA 98595-1358 (360) 268-0318 williams@techline.com. Meetings on the 4th Saturday of each month, usually at Washaway Beach, Grayland. Check with Morrie and Kelci for current location.

PCKA - PIERCE COUNTY KITEFLYERS ASSN.

Contact Dick Curran (253) 927-8779. Meets on the 4th Thursday of each month. Call for details.

SCI-FI - SNOHOMISH COUNTY INCREDIBLE FLYING INDIVIDUALS

Contact Four Winds Kite Shop (425) 339-9334.

SQUALICUM KITE FLYERS

Contact Don or Shirley Allen (360) 733-3777. 505 West Bakerview #114, Bellingham, WA 98226.

YAKIMA VALLEY KITE FLYERS

Contact Rod Yarger (509) 453-4679. 209 N 24th Avenue, Yakima, WA 98902

WESTPORT WINDRIDERS

Contact Barry Crites (360) 491-8605 or bearkites@aol.com. Funfly and meeting/potluck dinner on the 4th Saturday of each month. Call for location and details.

NORTHWEST FIGHTER KITE ASSOCIATION, NFKA

A club for fighter kite fans. Our mission is fly and have fun with fighters, so that's what we do. Information about membership should be directed to Bruce Lambert (360) 289-2717 brucel@techline.com. The membership fee is \$15 per person, paid one time. No annual dues. We meet and fly the 3rd Saturday of the month. Visit our web site at <http://www.eskimo.com/~johnsen/nfka/>

REGULARLY SCHEDULED EVENTS

GRAYLAND, Northwest Buggy Pilots Assoc. Fun flies 4th Saturday of every month at Wash-Away Beach. Verify location with Morrie and Kelci Williams, P.O. Box 1358, Westport, WA 98595-1358 (360) 268-0318 williams@techline.com

OCEAN SHORES, North Coast Sky Painters. Meets the second Saturday of every month except June, July and September at the Ocean City Lions Club 6PM Standard and 7PM Daylight Savings time. We fly in Ocean Shores or Ocean City regularly. The June meeting is at the Annual Ocean Shores Challenge at the Convention Center. We attend the Westport Festival in masse in July and the Up Your Winds at Pacific Beach in September. Our club contact person is Secretary Jeff McArthur 425-228-3875 and e-mail at windzup@nwlink.com. Our web site is <http://crabble.olympnet.com/NCSP/index.html>

SPOKANE, Lilac City Wind Chasers. Fun flies every Tuesday, 4:00 PM until dark, at Friendship Park, 7400 block of North Standard.

TACOMA, Pierce County Kitefliers Assoc. Meetings on the last Thursday of the month at Summit Branch of Pierce Co. Library, 7:00 PM. Contact Dick Curran (253) 927-8779.

EVERETT, SCI-FI. Fun flies 2nd Sunday every month, 10th Street boat launch, Everett WA. Contact Four Winds Kite Shop (425) 339-9334.

WESTPORT, Westport Windriders. 4th Saturday every month. Fun fly and potluck. Contact Barry Crites 360-491-8605 or bearkites@aol.com.

DO ANY OTHER CLUBS HAVE REGULARLY SCHEDULED EVENTS THEY WOULD LIKE TO LIST?

If so, send the information to the *WKA Newsletter* (address on page 2)

Editor's Echo

It has been a scramble to get the newsletter out this time. Of course it always seems that way. The next newsletter will more than likely be a couple weeks later than normal. We will be doing WSSKC the last weekend of Sept and then heading to nationals the next week and there won't be enough time in there to get it out.

I included a kite plan in this newsletter that Tom Sisson sent me and hope to do more of that as space allows in the future. If anyone has any articles to send in or some kiting event they want to write about please send them in. The newsletter has been a bit sparse lately, and we are right in the middle of the kiting season! Of course everyone is out flying kites and doesn't have time to write anything. That is why the newsletter is always a scramble to get done, I am out playing too much.

I want to make a call for new competitors in the sport kite arena. The competitions lately have been really sparse, especially in the novice class. If you have thought about doing this but don't know how to go about it, when to show up, what you need, what to do, where to go, what events have comps, etc. - contact me by email or phone and I'll help all that I can or point you in the right direction. Comps are a lot of fun and it is not a big ego fest. Most of the flyers are very laid back and just love to fly. It is a great time to hang out with all your kite pals, flying and jaw jacking. And you might even take home a ribbon!

Gotta fly!

Bill and Jeannette Rogers.

Washington Kitefliers Association
an affiliate of the American Kitefliers Association
MEMBERSHIP APPLICATION

YES!

26th Anniversary Year!

By becoming a member of WKA, you receive the WKA Newsletter every other month for a year, a membership card which entitles you to discounts at some area kite stores, and a wealth of information about special events and goings-on in the Northwest kiting community.

Join the WKA and share the fun! Find out more about the fastest growing popular pastime in the United States today. WKA meetings offer individuals and families the opportunity to participate in the administrative support and planning of local kite events and workshops. Membership cost per household in the US or Canada is \$15.00. Fill out this application and return it with a check or money order payable in US funds to WKA. Mail to:

Membership
Washington Kitefliers Association
Pacific Science Center
200 Second Avenue North
Seattle, Washington 98109



NAME _____

ADDRESS _____

CITY/STATE/ZIP _____

PHONES/E-MAIL _____

NAMES OF ADDITIONAL FAMILY MEMBERS _____

MAIN AREAS OF INTEREST IN KITES: _____

Washington Kitefliers Association
an affiliate of the American Kitefliers Association
Pacific Science Center
200 Second Avenue North
Seattle, Washington 98109



EXPIRES:
12/31/2001

NW Buggy Pilots Assn
C/O Morrie Williams
P O Box 1358
Westport WA 98595-1358

FIRST CLASS