



Newsletter

April/May 2000

WASHINGTON KITEFLIERS ASSOCIATION

Northwest League

The first event of National Kiting Month for the Northwest Region was a sport kiting workshop held at Ocean Shores, Washington on April 1st and 2nd.

Saturday morning started out with the "Ins and Outs of Judging" followed by a shadow judging session on the beach in the afternoon under blue skies and 25 mph winds. It was well attended by a majority of the Northwest Region competition flyers as well as other A.K.A. members who are interested in helping.

Sunday morning started off with a session on the duties of field director, pit boss and line judges. The remainder of the morning was spent on how to prepare kites, lines and bridles for competition.

After lunch we had a round table discussion on how to prepare a winning routine for ballet and precision. The remainder of the day was spent discussing "How do we add additional events to the Northwest Regions calendar?". A unanimous decision was made for establishing a Northwest Competition League with events put on and funded by the flyers for the flyers. It was made clear that these small one day events would not interfere with any of the existing festivals. Assignments were delegated for developing a charter, equipment needed and officers to support this organization. The next meeting was set for Sunday, May 7th at the Ocean Shores Community Club at 9:30 a.m.

The first competition of the year, sponsored by Cutting Edge Kites will be held at Ocean Shores on Saturday, May 6th.

Mike and Terri Huff
Northwest Sport Kite Commissi

Dedicated to helping
people know how much
fun it is to fly kites!

IN THIS ISSUE

- 2.....PRESIDENT'S LETTER
- 3.....FT. WORDEN
- 3.....OKR RAFFLE
- 3.....NEW MEMBERS
- 3.....FT. CASEY
- 3.....WORLD KITE MUSEUM
- 4.....REMEMBERING TOM
- 4.....GO FLY A KITE!
- 5.....ARCH KITE 2000
- 6.....ARCH KITE PATTERN
- 7.....KITE CALENDAR
- 8.....EDITOR'S ECHO
- 9.....FOR SALE
- 8-9.....KITE CLUBS

Correction

In the last newsletter the date of the Ocean Shores International Kite Challenge was incorrect. The dates should have been June 3-4. Since this is always the first weekend of June I should have caught it, but....

Editor

President's Prose

Hello WKA members, Let us introduce ourselves. We are the new WKA Co-President's David Jam and Jeannette Mandanas. David and I have been kiting together for about seven years, and David carried a small parafoil in his truck and would fly it at diverse locations when the spirit moved him for many years prior to our meeting. We live in North Bend, WA and have two boys which most of you have met, Justin 18 & Jae 15 who also enjoy kite flying. (just ask the NFKA guys :))

We initially became interested in sport kites and flew them while we learned about other aspects of the kite world. Currently we are flying fighter kites and buggying....Big kite and little, seems like a good balance. I also enjoy indoor flying and David's acquiring a passion for miniatures. You're sure to see us at WSIKF, Westport and Seattle for the most part & in a good year everywhere else we can manage to catch the wind!

We first joined the club, as many do, for the discount at kite shops, however, recently we became involved with the leadership of the WKA due to some soft prodding from Tom Sisson, whose phone call one evening, prompted us to become VP and Secretary last year.

This year as co-presidents, we feel that we can be your voice in this organization as leaders as well as family members. There are many families in the WKA and we hope to represent your ideas and address your concerns, therefore we hope in the near future, you take a moment to introduce yourselves and talk to us - Help us to continue to improve the WKA and make it an organization that is resourceful, helpful and fun! We need your guidance, direction and contributions.

We would also like to take this opportunity to thank Rob Pratt our past President for all his efforts and contributions and for helping to continue the mission of the WKA. We appreciate your time Rob and hope as you pass the baton that we too (two?) will support the mission as intended!

So to all of you who voted us in, we thank you, to all of you who don't know us from Adam...., we hope to meet you soon, and for everyone we hope to fulfill your expectations of a State Club.

Sincerely,

David Jam and Jeannette Mandanas Co-Chair

Great Winds Kite Shop

Est. 1972

An outstanding collection of kites, kite building supplies, books, accessories and other flying things...

402 Occidental Ave S. Seattle, Wa 98104 (206)624-6886

WKA Newsletter 2000

The Washington Kitefliers Association Newsletter is published six times a year by the Washington Kitefliers Association.

Primary Contact/Editor

Bill & Jeannette Rogers
(360) 697-2917

Mailing List

Sylvia Bernauer
(425) 822-4605

The Editor encourages your participation in your newsletter, and requests that you send your contributions pertaining to kiteflying. Submissions that illustrate how much fun it is to fly a kite will be given priority for publication. Mail submissions and photographs (include the name, address and telephone number of the source) along with a stamped, self-addressed envelope of sufficient size and postage for return (if you want your photographs back) to:

Bill & Jeannette Rogers
PO Box 2393
Poulsbo WA 98370
email billrogers@earthlink.net

The deadline for all submissions is January 20th, March 20th, May 20th, July 20th, September 20th or November 20th. Materials received by these dates will be published in the following issue as space allows. All submissions will be considered for publication.

Membership

To become a member of the WKA, send your name(s), address and telephone number, along with a check for \$15 per family in U.S. or Canada (all other countries please add \$5(US) additional for postage) to Washington Kitefliers Association, Pacific Science Center, 200 Second Avenue North, Seattle, Washington 98109. Membership includes an official WKA membership card entitling the bearer to discounts at certain kite shops and a one-year subscription to the WKA Newsletter.

W.K.A. WELCOMES NEW MEMBERS

Sherrie Bonsell
Don Butchart
Eric Mikkelsen & Monica Barlow
Malka & Pat Fricks

Gig Harbor
Seattle
Kent
Woodinville

HELLO FT. WORDEN

2000 GROUP!

Thank you so much for all the good wishes. The poster was great!!

Hear you had a great time and Judy Millsbaugh informed me the auction made the most ever--\$7,000 plus--WOW!

Our family is gathering March 31st at Kalaloch and will scatter Tom's ashes on April 1st. Think he would appreciate it.

Thanks again for all the good wishes.

JEAN(SISSON THAT IS) and Family

OKR Raffle

The Oregon Kitemakers Retreat was held in January. I am told that it is always an excellent conference! And they have great stuff in their raffles too! One of those items raffled off this year was a one year membership in WKA! Our President Rob Pratt was attending the conference and donated the item for WKA.

The ticket bag was shook up, ticket pulled, and the winner is..... Fred Marchand! Glad to say that Fred is already a member, so his membership has been extended one year! Congratulations, Fred!

Sylvia Bernauer
Membership

Ft. Casey Centennial Celebration

Sunday, June 10 is the Fort Casey Centennial celebration, near Coupeville on Whidbey Island. As part of the celebration, Whidbey Island Kite Flyers (a new kite club) has been asked to organize some kite-flying demonstrations, to be held on the State Park property, up near the fort itself. Tentative plans are for demonstrations of sportkite precision and ballet (team, pairs, and individual), mystery ballet, fighter kite, and generally filling the sky with color. Also to be provided are beginning sportkite lessons.

Persons interested in participating in the event, please contact Allen or Marjorie Taylor at 360-678-9358.

World Kite Museum

Dear WKA,

As you will see in the World Kite Museum & Hall of Fame's winter 2000 newsletter, important strides have been taken toward building a new Museum. The Board of Directors and volunteers want you to know that your group's donations played an important part in getting this far. They helped pay for this part of the process - the schematic design.

The capital campaign, raising funds to start construction, will begin this summer. As we seek grants from governmental agencies and private foundations, your involvement will count even more. You are what is called our constituents. Granters look closely at how widely an institution is supported by those who use and contribute to it. Thus, number of members and donations by associated groups become doubly important.

Again, thank you for your past involvement and we hope you will continue to help us in our efforts toward building a new place.

Kay Buesing
Museum Director

REMEMBERING DAD (TOM):

When I was young I found my father's booming voice and unconventional ways embarrassing.

As time passed I accepted him as the unique character he was.

And as I continued to mature I admired him and appreciated his individuality.

Keeping in the spirit of "Celebrating Life" I've compiled a list of the Top 10 Ways to remember Tom Sisson and honor his life.

- 1 Give someone a Bear hug - when he hugged you, you knew you'd been hugged
- 2 Volunteer - help an organization, a friend, a neighbor, a child
- 3 Live life to the fullest- dive in and experience things first hand
- 4 Repair something instead of replacing it
- 5 Wear wild clothing or mis-matched sox
- 6 Embellish a story or tell a tall tale
- 7 Sing "Who threw the overalls in Mrs. Murphy's chowder" or "Mares eat oats and Does eat oats"
- 8 Create something original
- 9 Enjoy the beauty of nature around you and share your observations
- 10 Fly a kite

By Diane Konno 2/4/00



3333 wallingford no.
SEATTLE WA 98103

FAX (206) 633-0301
(206) 632-6151 (206) 633-4780

Go Fly a Kite -- For the Health of It!

by Sylvia Bernauer

Some seniors are getting together to do just that. A new Health and Wellness activity is on the schedule at the Northshore Senior Center in Bothell, WA. The Health and Wellness team at the center came up with the idea of flying kites and named the group the Golden Flyers.

New WKA member, Malka Fricks, planned a kick-off event at the center. A registered nurse at the center gave a short talk on the health aspects of this activity. I brought lots of colorful kites of various types and vintages to decorate the room. There was even a special song, "We've Got A Lovely Bunch of Kites to Fly." A WSIKF video was also shown. Malka and husband Pat attended WSIKF last summer and were amazed at what they saw!

The first fun fly was held on March 15th at a park in Woodinville, WA. Several came to join in. The breeze was light, but they had smiles on their faces as they briskly walked across the field to get them aloft. Local Woodinville and Bothell weekly newspapers sent reporters and photographers to capture the inaugural event.

The Golden Flyers will meet again on the second and fourth Wednesdays, April 12 and 26 at 1:30 p.m. at Saint Edward State Park in Kenmore and May 17 and 31 at McCollum Park, Mill Creek, WA. The location for June will most likely be in Woodinville again. Further information is available after 11:30 a.m. on the event days from the Northshore Senior Center at 425-487-2441. They are hoping to make these fly's a regular event on their schedule.

*Tako Kichi
Gift Shop*  *Exhibits*

World Kite Museum & Hall of Fame

www.worldkitemuseum.com

P.O. Box 964	Phone (360) 642-4020
112 - 3rd Street N.W.	Fax (360) 642-4020
Long Beach, WA 98631	jkite@willapabay.org

The AKA Kite Arch 2000

The kite handles pass on. When Terry Sansom asked for folks to take over the AKA Fund-Raising Project, Ohio Society for the Elevation of Kites stepped forward. Coordinator for OSEK is Nancy Lockwood. Other club members will help with sewing line, installing spars, adding tails, and maintaining the web page.

We encourage all of the "rec.kites makers" who submitted kites for the 1998 and 1999 arches to do it again! And we are encouraging AKA affiliated clubs to participate as clubs. OSEK will sponsor trophies for the club, and the individual, submitting the most kites for the Arch 2000. In addition, all persons and clubs participating will receive certificates. We are defining a "club" as an AKA affiliated group, or an organized group, such as a retreat or workshop where all the participants make arch kites and submit them as a unit.

1999's arch had 399 kites flying in the air at Muncie, Indiana. Sold in units of 40 to 50 kites, the whole arch produced about \$3200 for the AKA. This is twice as much as the 1998 Arch achieved. NEW-NEW!! We are moving the deadline up!! PUT AUGUST FIRST on your calendar as Deadline Day to get your kites in, please. This will allow us time to get most of the Arch assembled in time to test fly it at the Wright-Patterson Air Force Museum Kite Festival in Dayton, Ohio on September 2-3. Then we can make any needed corrections or additions in early September, and get it to OSEK members who will drive to Florida and fly it at the convention. Why fly it at Dayton? To announce the AKA Convention 2003, which will take place at that same field!

The Chinese calendar says this is the Year of the Dragon. We're going to use Red and Gold tails on this year's kites, (hopefully alternating the colors on some, pairing the colors on some). We'll try to put tails on your kite that looks good. Hot colors obviously pair with gold best, for instance. Remember that we need as many PLAIN kites as ones with applique' design! So the novice sewers among you can do hemming, sew on the two pockets and tail loop, and go whew! Done! (And do another one). You experienced sewers might like to think "Dragon" when designing your appliques! If we get a bunch of kites that are all part of the same design, they will definitely be linked together so your artwork shows to best advantage.

THE ARCH KITE

Terry Sansom's original rec.kites stuff. The "rec.kites" arch is based on John Murray's AKS (The Australian Kitefliers Society) arch plan (Kite Arch Plan). Ours is bigger and more of the sail is above the cross line (22 1/2%). In this ribbon style arch, the flying line is used as the cross spar. This arch will fly in winds from 8 mph to 30 mph, with or without tails.

The following directions are for the sail only.

Material

Sail(s)-For durability and uniform flight characteristic use 3/4-ripstop nylon or polyester. One yard of fabric can make three sails. Spar pockets-Each sail will need two 3/4" x 3", 3 oz. Dacron strips. Tail loop-Each sail will need one 3 1/2", 200# Dacron or similar (in diameter) line.

Directions

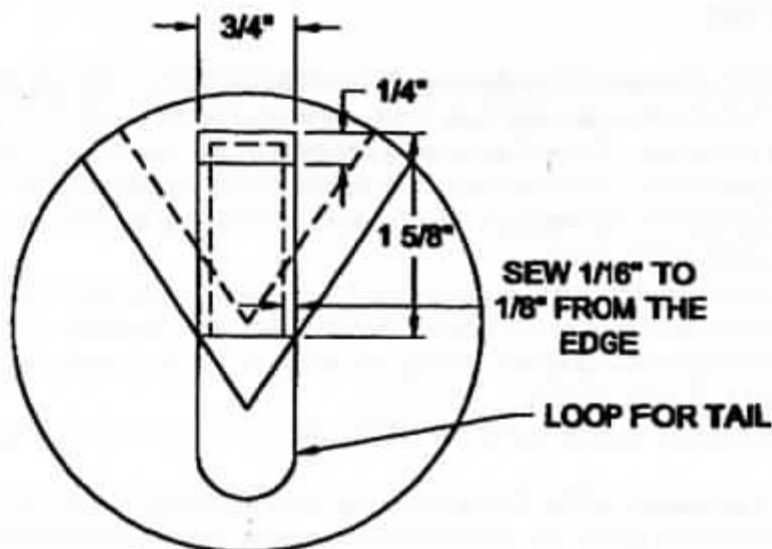
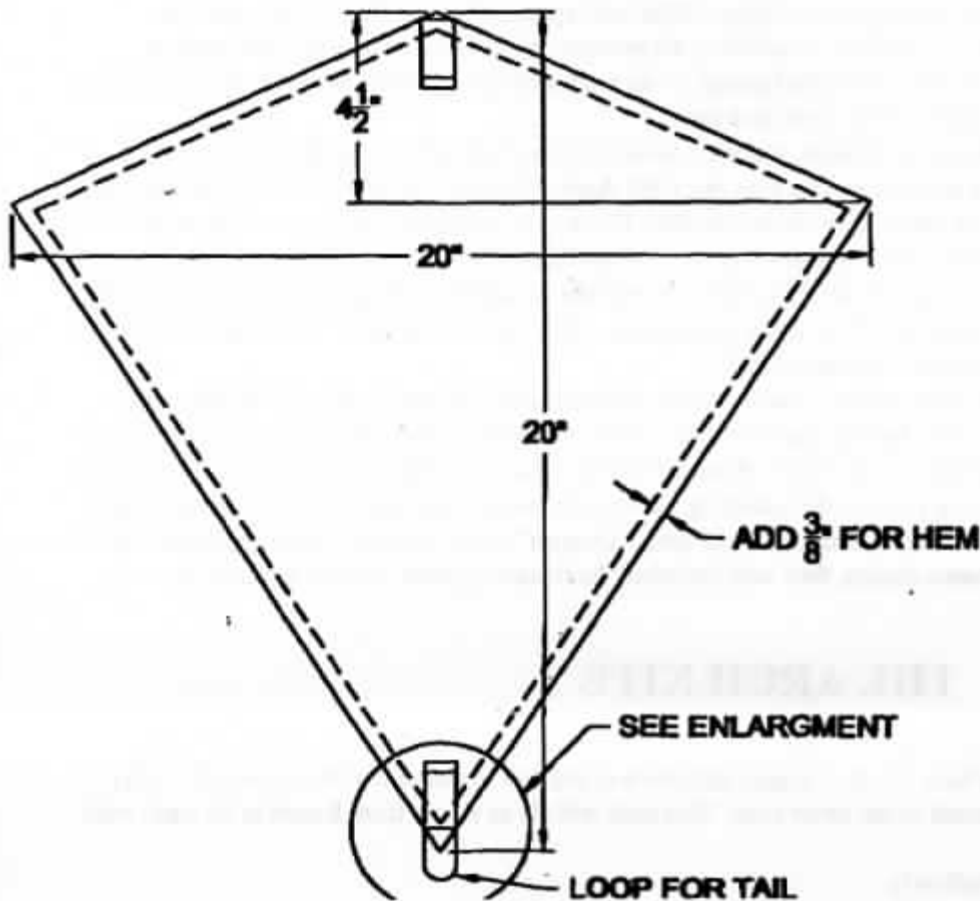
Sail-Make one template according to the dimension in the drawing. This will be the finished sail size after hemming. 22"x28" white poster board works well. Take this template and trace it out on a second poster board. Now draw and cut a parallel line 3/8" out all the way around the tracing. This will be the template that you will use to cut the fabric. After you cut out the sail(s), place the first template in the center of the sail. You should see 3/8" of fabric all the way around the template (see pic.). With a fabric pencil trace out the template. This is where you will fold the fabric for hemming. After sewing the hem, trim off the excess fabric at the corners.

Spar pocket-Hot cut two 3/4" x 3" strips for each sail (see pic.). Use 3 oz. Dacron. Make a mark at 1 5/8". Fold the strip at this mark. One half of the folded strip should be 1/4" longer. Sew the pockets on the back of the sail as shown in the drawings (see pic.). Position the pockets carefully, making sure the open end is towards the middle of the sail. Be sure you sew close to the fold and lock your stitches.

Loop for tail-Sew both ends 1/2" up from the bottom spar pocket. Place the line on top of the spar pocket as shown in the drawings (see pic.).

Send the finished kites to: **Nancy Lockwood, 10228 Winthrop Road, Streetsboro, Ohio 44241-5160.** If you would submit 25 cents with each kite that will defray the costs to OSEK for spars and tails and would be much appreciated.

Kite Arch 2000
(not to scale)



WKA OFFICERS

President

David Jam & Jeannette Mandanas
(425) 222-6779
jman@ncfweb.net

Vice President

Open

Secretary

Candyce Howard

Treasurer

Carol Lord (360) 268-1537
lord@techline.com

BOARD MEMBERS

Education

Open

Membership

Sylvia Bernauer (425) 822-4605
dbm@accessone.com

Merchant Liaison

Ken Conrad (206) 527-5184
grtwinds@dlux.net

Newsletter

Bill & Jeannette Rogers
(360) 697-2917
billrogers@earthlink.net

Past President

Rob Pratt (360) 956-1513

Products

Susie Christenson
(360) 268-1123

Special Events Coordinator

Dave Christenson
(360) 268-1123
davec@techline.com

Kite Calendar

Event organizers, please contact Bill and Jeannette Rogers at (360) 697-2917 or billrogers@earthlink.net by the first of odd numbered months with Kite Calendar information. Please include as a minimum the date, time, place, contact person, phone number, and email address (if applicable).

MAY

May 6, 2000

Stunt Kite Competition in Ocean Shores. 10:00am start time. For more information contact: Cutting Edge Kites, Ocean Shores, 360-289-0667.

May 6, 2000

Ben-Franklin Kite Society. Preston Winery Kite Fly, 10 am to 5 pm. Saturday evening BBQ. 5 miles North of Pasco off Hwy 395, Pasco WA. For more information contact Marleen Zilar 509-627-6404 or Vi Weeks 509-967-2488.

May 14, 2000 (Mother's Day)

SCI-FI Event. Fun Fly at 10th Street boat launch, Everett, WA. Bring your Moms and the whole family.

May 20-21, 2000

Fun Fly at Ocean City. An informal get together of kites to do your own thing. For more information contact Herb Andrews at 253-627-1653.

JUNE

June 3-4, 2000

Ocean Shores International Kite Challenge, Ocean Shores, WA. For

information please call Mary Bos or Monica Barber at 360-289-0667 or email flying@cuttingedgekites.com.

June 10, 2000

Ft. Casey Centennial Celebration. For more information contact Allen or Marjorie Taylor at 360-678-9358.

June 17-18, 2000

Workshop with Georgan Curran. For more details and registration call The World Kite Museum (360) 642-4020 or e-mail the Museum at jkite@willapabay.org

June 17-18, 2000

Fun Fly at Ocean City. An informal get together of kites to do your own thing. For more information contact Herb Andrews at 253-627-1653.

June 24-25, 2000

Northwest Stunt Kite Championships, Long Beach, WA. Contact Eric and Genny Forsberg for more information: 503-357-7557 or gforsberg@msn.com.

JULY

July 7-9, 2000

Windrider Kite Festival/Stunt Kite Championships, Grayland Beach, Cranberry Rd approach. For more information contact Barry Crites 360-491-8605 or bearkites@aol.com.

July 9, 2000

Jetty Island Kite Fly, Everett, WA. Kite making, candy drops and just good family fun. Contact Four Winds Kite Shop for info. (425)339-9334. We will be sending out re-

minder cards for this event.

July 15-16, 2000

Fun Fly at Ocean City. An informal get together of kites to do your own thing. For more information contact Herb Andrews at 253-627-1653.

July 30, 2000

Everett Kite Festival. More information on this event to follow.

AUGUST

August 19-20, 2000

Fun Fly at Ocean City. An informal get together of kites to do your own thing. For more information contact Herb Andrews at 253-627-1653.

August 21-27, 2000

WSIKF!! Long Beach, WA.

SEPTEMBER

September 9, 2000

Preston Winter Chili Cook-off, Quilt Show & Kite Fly. 10 am to 5 pm. 5 miles North of Pasco off Hwy 395, Pasco WA. For more information contact Marleen Zilar 509-627-6404 or Vi Weeks 509-967-2488.

September 10, 2000

SCI-FI fly at Greenbanks Winery, Whidby Island, WA. Hot dog feed. Contact Four Winds Kite Shop 425-339-9334.

September 16-17, 2000

Fun Fly at Ocean City. An informal get together of kites to do your own thing. For more information contact Herb Andrews at 253-627-1653.

REGIONAL CLUBS

WHIDBEY ISLAND KITE FLYERS

Contact Allen or Marjorie Taylor at 360-678-9358

ASSOCIATED OREGON KITERS

P.O. Box 25616, Portland, OR 97298. Membership includes bi-monthly newsletter.

BEN FRANKLIN KITE SOCIETY

Contact Greg or Margaret Greger at (509) 943-3951

BRITISH COLUMBIA KITE-FLYERS ASSOCIATION

Box 755, 101-1001 W. Broadway, Vancouver, BC, CANADA V6H4E4. Membership \$15.00 Canadian or \$10.50 US. Our website is www.bcka.bc.ca

kgb - KITE GROUP OF BOISE

Gary Self, 5403 Paulson Circle, Boise, ID 83704. Individual membership \$7.00 includes a quarterly (?) newsletter.

LILAC CITY WIND CHASERS

Meets every Tuesday (during daylight savings), 5:00 PM, Friendship Park, 7200 block of N Standard. Contact Bill or Connie Lester, 3524 W Kiernan, Spokane, WA 99205 (509) 327-2829 blester@ix.netcom.com.

NORTH COAST SKY PAINTERS KITE CLUB

Our club contact person is Secretary Jeff McArthur 425-228-3875 and e-mail at windzup@nwlinc.com. Our web site is <http://crabble.oly.net.com/NCSP/index.html>

NORTHWEST BUGGY PILOTS ASSN.

Contact Morrie and Kelci Williams, P.O. Box 1358, Westport, WA 98595-1358 (360) 268-0318 williams@techline.com. Meetings on the 4th Saturday of each month, usually at Washaway Beach, Grayland. Check with Morrie and Kelci for current location.

PCKA - PIERCE COUNTY KITEFLYERS ASSN.

Contact Dick Curran (253) 927-8779. Meets on the 4th Thursday of each month. Call for details.

SCI-FI - SNOHOMISH COUNTY INCREDIBLE FLYING INDIVIDUALS

Contact Four Winds Kite Shop (425) 339-9334.

SQUALICUM KITE FLYERS

Contact Don or Shirley Allen (360) 733-3777. 505 West Bakerview #114, Bellingham, WA 98226.

YAKIMA VALLEY KITE FLYERS

Contact Rod Yarger (509) 453-4679. 209 N 24th Avenue, Yakima, WA 98902

WESTPORT WINDRIDERS

Contact Barry Crites (360) 491-8605 or bearkites@aol.com. Funfly and meeting/potluck dinner on the 4th Saturday of each month. Call for location and details.

NORTHWEST FIGHTER KITE ASSOCIATION, NFKA

A club for fighter kite fans. Our mission is fly and have fun with fighters, so that's what we do. Information about membership should be directed to Bruce Lambert (360) 704-7280, fax: (360) 704-7282 or kitefighter@home.com. The membership fee is \$15 per person, paid one time. No annual dues. We meet and fly the 3rd Saturday of the month. Visit our web site at <http://www.fighterkites.org>.

INTERNATIONAL CLUBS

AUSTRALIAN KITE ASSOCIATION

14 Dandelion Drive
Rowville
Victoria 3178
Australia
Visit our website at:
www.aka.org.au

Editor's Echo

The newsletter is a bit late this time. The weekend that we would usually finish it was spent out at Ocean Shores at the Seminar on page 1. It was a great time and a good learning experience. Nice weather too.

This spring has been good. I was on strike for 6 weeks and got a lot of good flying time in. The lack of a paycheck sucked, but the sleeping in and flying was nice.

We are looking forward to all the upcoming festivals and getting together with all our kite friends again.

Bill and Jeannette Rogers

REGULARLY SCHEDULED EVENTS

GRAYLAND, Northwest Buggy Pilots Assoc. Fun flies 4th Saturday of every month at Wash-Away Beach. Verify location with Morrie and Kelci Williams, P.O. Box 1358, Westport, WA 98595-1358 (360) 268-0318 williams@techline.com

OCEAN SHORES, North Coast Sky Painters. Meets the second Saturday of every month except June, July and September at the Ocean City Lions Club 6PM Standard and 7PM Daylight Savings time. We fly in Ocean Shores or Ocean City regularly. The June meeting is at the Annual Ocean Shores Challenge at the Convention Center. We attend the Westport Festival in masse in July and the Up Your Winds at Pacific Beach in September. Our club contact person is Secretary Jeff McArthur 425-228-3875 and e-mail at windzup@nwlink.com. Our web site is <http://crabble.olympnet.com/NCSP/index.html>

SPOKANE, Lilac City Wind Chasers. Fun flies every Tuesday, 4:00 PM until dark, at Friendship Park, 7400 block of North Standard.

TACOMA, Pierce County Kitefliers Assoc. Meetings on the last Thursday of the month at Summit Branch of Pierce Co. Library, 7:00 PM. Contact Dick Curran (253) 927-8779.

EVERETT, SCI-FI. Fun flies 2nd Sunday every month, 10th Street boat launch, Everett WA. Contact Four Winds Kite Shop (425) 339-9334.

WESTPORT, Westport Windriders. 4th Saturday every month. Fun fly and potluck. Contact Barry Crites 360-491-8605 or bearkites@aol.com.

DO ANY OTHER CLUBS HAVE REGULARLY SCHEDULED EVENTS THEY WOULD LIKE TO LIST?

If so, send the information to the *WKA Newsletter* (address on page 2)

ADVERTISEMENTS

For items relating to kites or kitefliers. Charge is 10 cents a word (\$3 minimum) per issue. Lost, Found, Stolen, or Free items will be listed free if under 30 words. Make checks payable to WKA, mail to Bill & Jeannette Rogers Editors, P.O. Box 2393, Poulsbo, WA 98370.

WKA Patch

Patches featuring the WKA logo are available for \$4 each. Make check payable to the WKA. Contact Susie Christenson, PO Box 2112, Westport, WA 98595.

WKA 3-Pin Sets

The new WKA pins are a 3 pin set that, when put together, form a Rokkaku. The center pin lists all of the kite clubs in the WKA. The 3 pin set is priced at \$10 including postage (\$11 outside the US). Make check payable to the WKA. Contact Susie Christenson, PO Box 2112, Westport, WA 98595.

25th Anniversary Pin

The new pin is green with a red, blue or yellow kite in it. It is our 25th anniversary pin. The pin is priced at \$5 including postage. Make check payable to the WKA. Contact Susie Christenson, PO Box 2112, Westport, WA 98595.

For Sale:

Pattern for a Petazon (?) Bird Kite. 16'+ wing span
Make offer. Contact Ethyl Reed at 425-255-1071.

For Sale:

3 Joel Scholz kites, 2 anglefish & 1 regular parrot new condition. Asking \$40.00 each. 1 Martin Lester bird kite like new condition, \$35.00. 1 Don Mock NW Indian drum head fighter kite #4 of 10. never flown, make offer. Will make good package deal for all. Dave Christenson, (360) 268-1123 or davec@techline.com evenings best time to call.

Washington Kitefliers Association
an affiliate of the American Kitefliers Association
MEMBERSHIP APPLICATION

YES!

25th Anniversary Year!

By becoming a member of WKA, you receive the WKA Newsletter every other month for a year, a membership card which entitles you to discounts at some area kite stores, and a wealth of information about special events and goings-on in the Northwest kiting community.

Join the WKA and share the fun! Find out more about the fastest growing popular pastime in the United States today. WKA meetings offer individuals and families the opportunity to participate in the administrative support and planning of local kite events and workshops. Membership cost per household in the US or Canada is \$15.00. Fill out this application and return it with a check or money order payable in US funds to WKA. Mail to:

Membership
Washington Kitefliers Association
Pacific Science Center
200 Second Avenue North
Seattle, Washington 98109



NAME

ADDRESS

CITY/STATE/ZIP

PHONES/E-MAIL

NAMES OF ADDITIONAL FAMILY MEMBERS

MAIN AREAS OF INTEREST IN KITES: _____

Washington Kitefliers Association
an affiliate of the American Kitefliers Association
Pacific Science Center
200 Second Avenue North
Seattle, Washington 98109



EXPIRES:
12/31/2001

NW Buggy Pilots Assn
C/O Morrie Williams
P O Box 1358
Westport WA 98595-1358

FIRST CLASS